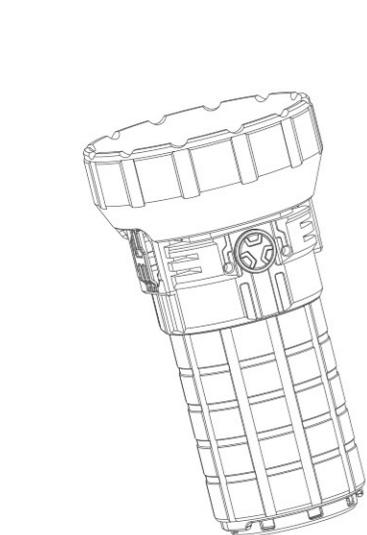


MS12 MINI User manual



Classic upgrade

Shenzhen Guangtong Mobile Lighting Technology Co., Ltd
Email: sales@imalent.com
Facebook:facebook.com/ImalentFlashlights
Website:www.imalent.com
Address:Room 213, ZhichuangLvgu Building A, 62 Puxia Road, Henggang Liuyue, Shenzhen, Guangdong, 518173 China

CONTENTS

(EN)English 01

(CHS)简体中文 02

(DE)Deutsch 03

(IT)Italia 04

(AR)اللغة العربية 05

(JP)日本語 06

(KR)한국어 07

(TH)ภาษาไทย 08

(FR)Français 09

(VN)Tiếng Việt 10

(English) MS12 MINI User manual

ANSI/NEMA FL1	General Mode							
	Turbo	High	Middle II	Middle I	Middle Low	Low	Moonlight	
	OUTPUT	65000-13000 lumens	25000-13000 lumens	13000 lumens	5000 lumens	3000 lumens	1500 lumens	50 lumens
	RUNTIME	45s+40min	3min+43min	48min	1H23min	2H50min	4H	98H
	BEAM DISTANCE	1036m						
	PEAK BEAM INTENSITY	268600cd						
	IMPACT RESISTANCE	1m						
	WATERPROOF	IP56						

IMALENT closely follows the latest U.S. ANSI standards for testing, test data is more scientific and accurate
Product Introduction
The IMALENT MS12 Mini is the definition of a super bright can-sized searchlight, utilizing 12 pieces of American CREE XHP70 2nd LEDs. The flashlight will impress everyone with an outstanding 65,000 lumens powered by the built-in Li-ion battery pack which includes 4pcs 21700 batteries. Capable of 1036-meter beam visibility, it can be used to find any object in the dark. Side switch design allows you to quickly enter turbo and low-brightness modes. With the built-in DC charging port at the tail, you can fast charge the IMALENT MS12 Mini in two hours. Battery level indicators will tell you when it's time to charge the MS12 Mini with the included charger. The amount of light that the IMALENT MS12 Mini flashlight emits is truly remarkable, a wide beam angle and strobe function are quite ideal for multiple purposes, including search and rescue missions. Featuring six output levels plus strobe, IMALENT MS12 Mini is also a must-have for your daily life, outdoor activities and repair work.

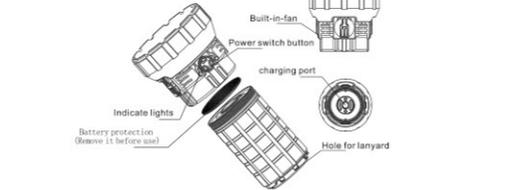
Product features
Utilizes 12 pieces of American CREE XHP70 2nd LEDs. The lifespan is up to 50,000 hours with maximum output of 65,000lumens.
Built-in Li-ion battery pack which includes 4pcs 21700 batteries.
Instant turbo output by double press the side power switch button while triple press the side power switch button, can get moon mode 50Lumens.
Size: 148mm (length)*83mm (head diameter)*56mm (body diameter)
Net weight: 787g(battery excluded)
High efficiency constant current circuit will maintain constant brightness
Built-in thermal control module will automatically adjust the brightness output, keep using comfortably
Combination of toughened ultra-clear mineral and anti-reflective coating glass
Aluminum OP reflector.
Aerospace-grade aluminum alloy body,wear-resistant Type III hard-anodized surface treatment.
IP56 standard waterproof
Operation instruction
1. **Switch on/off**
First time to use the flashlight, please remove the battery protection between flashlight head and battery pack, then screw it as tightly as you can, softly press the power switch button one time to turn on and off the flashlight.
2. **Normal lighting mode**
When the flashlight is on, press and hold the side power switch button, it will cycle from 1500lm-3000lm-5000lm-13000lm-25000lm, release the side power switch button will save the needed output level. (At any mode, triple click the power switch button, will get moonlight mode 50Lumens).
3. **Turbo and Strobe**
Double press the side power switch button at any mode, will activate turbo output, which is up to 65,000lumens, double press the side power switch button again will activate strobe, slightly press the side power switch button to exit. (Turbo and strobe will be deactivated when battery voltage is less than 14.0V)
4. **Low powering warning**
With the flashlight on, when the battery is low, the red indicator will flash at 2Hz to remind users to replace the battery or charge it.
5. **Intelligent thermal control**
While using the high output mode, the flashlight will generate a lot of heat. When the flashlight body temperature reaches 50 degrees Cesium, the brightness will decrease to 13,000lumens to ensure safe,comfortable use and prevent discomfort from overheating. When the flashlight body temperature reaches 65 degrees Cesium,the turbo mode will be deactivated.
6. **Switch on and off the cooling fans**
1. With the flashlight on, the cooling fan will be turned on automatically when the output is at 5000lumens or more output levels.
2. With the flashlight off, long press the power switch button 3 seconds to switch on and off the cooling fan in order to cool off the flashlight.
7. **Memory function**
The flashlight will remember the brightness that it was previously set at. When you turn the flashlight on again, it remembers how bright it was before being turned off. (Moon mode will be remembered while turbo and strobe will not be remembered)
8. **Lock and unlock function**
With the flashlight off, quickly press the power switch button 4 times, the indicator will flash 3 times to indicate the flashlight is locked. Press the switch button 4 times again, it will be unlocked and can work normally.
9. **Battery charging**
The product comes with intelligent charging function. Unscrew off the tail cap, plug in the charger(19V-24V/2A), and put it into the indoor socket to charge it. Charging the battery pack will take about 2 hours.
1. When the MS12 Mini is being charged properly, the indicator light at the end of the battery pack will glow red. The indicator light will turn green if the battery pack has been fully charged
Flashlight maintenance
If the flashlight is going to be set aside for a long time,please use the soft fabric to clean the screw thread of the tube and then use the silicone-based lubricant to lubricate the screw thread once every half-year
Warranty Service
All IMALENT products are covered by our warranty service. DOA /defective products can be exchanged for a replacement through a local distributor/dealer within 15 days of purchase. After 15 days, all defective / malfunctioning IMALENT products will be repaired free of charge for 24 months from the date of purchase. (Battery and charger one year). After 24 months, a limited warranty applies, covering the cost of labor and maintenance, but not the cost of accessories or replacement parts.
The warranty is nullified in all of the following situations:
1.The product(s)is/ are broken down, reconstructed and/or modified by unauthorized parties.
2.The product(s)is/are damaged through improper use.
3.The product(s)is/are damaged by leakage of batteries.
For the latest information on IMALENT products and services, please contact your national IMALENT distributor or send an email to sales@imalent.com
In case of any conflict of information, the content on www.imalent.com shall prevail
How to become a distributor
If you are interested in dealing with IMALENT, please send your basic information by email to sales@imalent.com, we will get back to you immediately and proceed with details discussion. You can also recommend potential local dealer, if we end up establishing cooperation with the dealer you recommended, we will send you a favorable thank you gift
Shenzhen Guangtong Mobile Lighting Technology Co., Ltd
Mail:sales@imalent.com
Web: www.imalent.com
Factory Address: Room 213, ZhichuangLvgu Building A, 62 Puxia Road, Henggang Liuyue, Shenzhen, Guangdong, 518173 China

Operation instruction
1. **Switch on/off**
First time to use the flashlight, please remove the battery protection between flashlight head and battery pack, then screw it as tightly as you can, softly press the power switch button one time to turn on and off the flashlight.
2. **Normal lighting mode**
When the flashlight is on, press and hold the side power switch button, it will cycle from 1500lm-3000lm-5000lm-13000lm-25000lm, release the side power switch button will save the needed output level. (At any mode, triple click the power switch button, will get moonlight mode 50Lumens).
3. **Turbo and Strobe**
Double press the side power switch button at any mode, will activate turbo output, which is up to 65,000lumens, double press the side power switch button again will activate strobe, slightly press the side power switch button to exit. (Turbo and strobe will be deactivated when battery voltage is less than 14.0V)
4. **Low powering warning**
With the flashlight on, when the battery is low, the red indicator will flash at 2Hz to remind users to replace the battery or charge it.
5. **Intelligent thermal control**
While using the high output mode, the flashlight will generate a lot of heat. When the flashlight body temperature reaches 50 degrees Cesium, the brightness will decrease to 13,000lumens to ensure safe,comfortable use and prevent discomfort from overheating. When the flashlight body temperature reaches 65 degrees Cesium,the turbo mode will be deactivated.
6. **Switch on and off the cooling fans**
1. With the flashlight on, the cooling fan will be turned on automatically when the output is at 5000lumens or more output levels.
2. With the flashlight off, long press the power switch button 3 seconds to switch on and off the cooling fan in order to cool off the flashlight.
7. **Memory function**
The flashlight will remember the brightness that it was previously set at. When you turn the flashlight on again, it remembers how bright it was before being turned off. (Moon mode will be remembered while turbo and strobe will not be remembered)
8. **Lock and unlock function**
With the flashlight off, quickly press the power switch button 4 times, the indicator will flash 3 times to indicate the flashlight is locked. Press the switch button 4 times again, it will be unlocked and can work normally.
9. **Battery charging**
The product comes with intelligent charging function. Unscrew off the tail cap, plug in the charger(19V-24V/2A), and put it into the indoor socket to charge it. Charging the battery pack will take about 2 hours.
1. When the MS12 Mini is being charged properly, the indicator light at the end of the battery pack will glow red. The indicator light will turn green if the battery pack has been fully charged

Flashlight maintenance
If the flashlight is going to be set aside for a long time,please use the soft fabric to clean the screw thread of the tube and then use the silicone-based lubricant to lubricate the screw thread once every half-year
Warranty Service
All IMALENT products are covered by our warranty service. DOA /defective products can be exchanged for a replacement through a local distributor/dealer within 15 days of purchase. After 15 days, all defective / malfunctioning IMALENT products will be repaired free of charge for 24 months from the date of purchase. (Battery and charger one year). After 24 months, a limited warranty applies, covering the cost of labor and maintenance, but not the cost of accessories or replacement parts.
The warranty is nullified in all of the following situations:
1.The product(s)is/ are broken down, reconstructed and/or modified by unauthorized parties.
2.The product(s)is/are damaged through improper use.
3.The product(s)is/are damaged by leakage of batteries.
For the latest information on IMALENT products and services, please contact your national IMALENT distributor or send an email to sales@imalent.com
In case of any conflict of information, the content on www.imalent.com shall prevail
How to become a distributor
If you are interested in dealing with IMALENT, please send your basic information by email to sales@imalent.com, we will get back to you immediately and proceed with details discussion. You can also recommend potential local dealer, if we end up establishing cooperation with the dealer you recommended, we will send you a favorable thank you gift
Shenzhen Guangtong Mobile Lighting Technology Co., Ltd
Mail:sales@imalent.com
Web: www.imalent.com
Factory Address: Room 213, ZhichuangLvgu Building A, 62 Puxia Road, Henggang Liuyue, Shenzhen, Guangdong, 518173 China

Warranty Service
All IMALENT products are covered by our warranty service. DOA /defective products can be exchanged for a replacement through a local distributor/dealer within 15 days of purchase. After 15 days, all defective / malfunctioning IMALENT products will be repaired free of charge for 24 months from the date of purchase. (Battery and charger one year). After 24 months, a limited warranty applies, covering the cost of labor and maintenance, but not the cost of accessories or replacement parts.
The warranty is nullified in all of the following situations:
1.The product(s)is/ are broken down, reconstructed and/or modified by unauthorized parties.
2.The product(s)is/are damaged through improper use.
3.The product(s)is/are damaged by leakage of batteries.
For the latest information on IMALENT products and services, please contact your national IMALENT distributor or send an email to sales@imalent.com
In case of any conflict of information, the content on www.imalent.com shall prevail
How to become a distributor
If you are interested in dealing with IMALENT, please send your basic information by email to sales@imalent.com, we will get back to you immediately and proceed with details discussion. You can also recommend potential local dealer, if we end up establishing cooperation with the dealer you recommended, we will send you a favorable thank you gift

Shenzhen Guangtong Mobile Lighting Technology Co., Ltd
Mail:sales@imalent.com
Web: www.imalent.com
Factory Address: Room 213, ZhichuangLvgu Building A, 62 Puxia Road, Henggang Liuyue, Shenzhen, Guangdong, 518173 China



(简体中文) MS12 MINI 使用说明书

ANSI/NEMA FL1	照明模式							
	超亮亮模式	高亮模式	中高模式	中低高模式	低高模式	超低高模式	月光模式	
	亮度	65000-13000流明	25000-13000流明	13000流明	5000流明	3000流明	1500流明	50流明
	续航时间	45秒+40分	3分+43分	48分	1小时23分	2小时50分	4小时	98小时
	最大射程	1036米						
	最大光强	268600坎德拉						
	防跌落高度	1米						
	防护等级	IP56						

IMALENT 严格按照最新国际标准进行测试，测试数据更科学更准确

产品简介
MS12 MINI 是一款输出高达65000流明可充电多功能手电。采用高光效2颗CREE XHP70二代LED光源与高性能光杯结合，输出适合近距照明的聚光一体柔合光线。MS12 MINI的至小体积，并至轻设计与高流明相结合形成一个完整的高性能多功能掌心照明工具。MS12 MINI的多功能性与高性能，为夜间活动或户外运动提供便利光源。

产品特点
·采用12颗CREE XHP70二代光源，寿命5000小时，最高65000流明超强亮度输出
·配置可充电锂电池
·一键亮灭（快速双击侧面电源开关即可），在任何模式下，三击侧面电源开关均可进入月光模式50流明
·一键亮灭（快速双击侧面电源开关即可），在任何模式下，三击侧面电源开关均可进入月光模式50流明
·产品尺寸：83mm（头部直径）x56mm（筒身直径）x148mm（总长度）
·产品净重：787g(包含电池)
·高效率恒流电路，亮度恒定
·智能电路温控功能，根据工作状态和外界温度自动调节亮度输出，保持使用舒适度
·采用双面镀膜防刮花光学镜片
·蚀制桔面反光杯
·筒身采用高品质航天铝合金制造，表面通过耐磨军规三级硬质阳极氧化处理
·符合IP56防护标准
·7米防撞能力

操作说明

一、 开启/关闭

第一次使用电筒前，请取出电筒头部和锂电池之间的绝缘片，再拧紧蓄电池棒。轻按一次开关键，手电开启，如需关闭再次轻按一次开关键便关闭。

二、 档位调光模式

在电筒开启照明的状态下，按住侧面开关键，即可循环切换1500流明/3000流明/5000流明/13000流明/25000流明。当切换到所需档位时，松开手指便可。

三、 极亮/爆闪模式

在任意状态下双击侧面开关键，即可进入极亮模式，输出亮度高达65000流明。再次双击侧面开关键进入爆闪，如需退出此模式轻按一次侧面开关键便可，（锂电池电压低于14V不能开启极亮和爆闪）。

四、 低电量提示

在照明状态下，当电池没电时，电量指示灯会按2Hz频率闪烁，以提示用户及时更换电池或及时充电。

五、 智能温控调光功能

手电在高亮度档位长时间工作时，会累积大量热量，当手电外壳温度高达50℃时，会自动降低亮度到13000流明，以避免温度过高而影响使用舒适度，当温度高于65℃时不能开启超亮亮。

六、 风扇开启功能：

1.手电在开启状态下，进入5000流明以上档位（包括5000流明）手电会自动开启风扇。

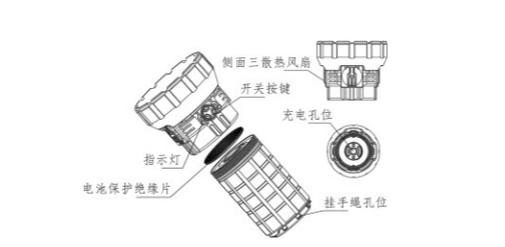
2.手电在关闭状态下，如需开启风扇，只需长按电源键3秒即可开启散热风扇,如需关闭散热风扇则再次长按电源键3秒即可。

七、 自动记忆功能

MS12 MINI会自动记忆当前亮度档位，再次打开时都会以记忆的亮度档位开始工作。(特殊档位：极亮、爆闪不记忆，月光模式会记忆)

八、 锁键功能

手电在关机状态下，连续按四次侧面开关键，指示灯闪烁三次，便进入按键锁定状态，如需退出此模式，则再连续按侧面开关键四次便可。



九、 充电说明

本产品自带智能充电功能，将充电适配器(19V-24V/2A)一端连接至尾部充电孔(拧掉尾盖),另一端插上室内取电插座即可以进行充电。电池棒充满电大约需要2小时。

1.当MS12 MINI插上充电适配器进行正常充电状态时，尾部充电指示灯便会亮起红色指示灯。当电池充满后，充电指示灯绿灯亮起。

保养电筒

手电长期不使用时，请每半年使用软布清洁电筒的螺牙并使用硅脂润滑油润滑螺牙。备注：产品数据如有更新，敬请以IMALENT官方网站为准。

保 修

IMALENT产品拥有售后维修服务，在购买本产品15天内如有任何质量问题均可向经销商要求免费更换。在购买本产品2年内享受免费维修服务，超过2年免费保修期后本产品享有终身有限度维修服务，如需更换重要部件则需要收取成本费用（注：电池、充电器保修12个月）。本保修规则不适用于以下情况：
1.人为破坏，拆解，改变本产品；
2.错误操作导致产品损坏（如装反电池等）；
3.电池漏液导致产品损坏；

如何成为IMALENT的经销商
如果您对IMALENT产品感兴趣想成为IMALENT产品经销商，请发邮件到sales@imalent.com

深圳市光通移动照明科技有限公司
邮箱:sales@imalent.com
网址:www.imalent.cn
工厂地址：深圳市龙岗区横岗街道埔夏路62号智创绿谷A栋二楼213

(Deutsch) MS12 MINI Bedienungsanleitung

ANSI/NEMA FL1	Genereller Modus							
	Turbo	High	Middle II	Middle I	Middle Low	Low	Moonlight	
	Ausgangsleistung	65.000-13.000 lumens	25.000-13.000 lumens	13.000 lumens	5.000 lumens	3.000 lumens	1.500 lumens	50 lumens
	Laufzeit	45sek+40min	3min+43min	48min	1.23min	2.50min	4std	98std
	Reichweite	1.036m						
	Maximale Intensität	268.600cd						
	Stoßfestigkeit	1Meter						
	Wasserdichte	IP56						

IMALENT hält sich eng an den neuesten U.S. ANSI-Standard für Tests. Diese Testdaten sind wissenschaftlicher und genauer.

Beschreibung

Die IMALENT MS12 Mini ist die Definition eines superhellen Suchscheinwerfers in Dosengröße, der mit 12 amerikanischen CREE XHP70.2 LEDs ausgestattet ist. Die Taschenlampe beeindruckt mit hervorragenden 65.000 Lumen, welche von dem eingebauten Li-Ionen-Akku mit 4 Stück 21700er-Batterien versorgt werden. Mit einer Leuchtweite von 1036 Metern können Sie damit jedes Objekt im Dunkeln finden. Mit dem seitlichen Schalter können Sie schnell in den Turbo, und den Low Modus wechseln. Mit dem eingebauten DC-Ladenschluss am Heck wird die die IMALENT MS12 Mini innerhalb von zwei Stunden vollständig aufgeladen. Die Batteriezustandsanzeige informiert, wann es Zeit ist, die MS12 Mini mit dem Ladegerät (im Lieferumfang enthalten) aufzuladen. Die Lichtleistung der IMALENT MS12 Mini Taschenlampe ist wirklich bemerkenswert. Der breite Abstrahlwinkel und die Stroboskop Funktion sind ideal für verschiedene Anwendungen, einschließlich Such- und Rettungsaktionen. Mit sechs Leistungsstufen plus Stroboskop ist die IMALENT MS12 Mini auch ein Muss für Ihren Alltag und Ihre Outdoor-Aktivitäten.

Produktmerkmale

- Verwendet 12 amerikanische CREE XHP 70.2 LEDs, mit einer Lebensdauer von bis zu 50.000 Stunden
- Maximale Lichtleistung von 65.000 Lumen.
- Eingebauter Li-Ionen-Akku, mit 4 Stück x 21700 Akkus
- Sofortige Turbo Leistung durch doppeltes Drücken des Seitenschalters, während dreifaches betätigen des Seitenschalters den Moon Modus mit 50 Lumen aktiviert.
- Größe: 148mm (Länge) x 83mm (Kopfdurchmesser) x 56mm (Körperdurchmesser)
- Nettogewicht: 787g (inklusive Batterie)
- Die hocheffiziente konstant Stromschaltung sorgt für gleichbleibende Helligkeit
- Das eingebaute thermisches Kontrollmodul passt die Helligkeitsleistung automatisch an
- Kombination aus gehärtetem, ultraklarem Mineralglas und antireflektierendem Glas
- Aluminium-OP-Reflektor
- Gehäuse aus raumfahrttauglicher Aluminiumlegierung, verschleißfest Typ III mit hartanodisierter Oberflächenbehandlung
- wasserdicht nach Ip56 Standard.

Bedienungsinformationen

1. Einschalten/Ausschalten

Wenn Sie die Taschenlampe zum ersten Mal benutzen, entfernen Sie bitte den Batterieschutz zwischen dem Taschenlampenkopf und dem Akkupack, dann schrauben Sie ihn so fest wie möglich zu. Drücken Sie dann den Einschaltknopf einmal sanft, um die Taschenlampe Ein.- bzw. Auszuschalten.

2. Normale Beleuchtungsmodus

Wenn die Taschenlampe eingeschaltet ist, drücken und halten Sie den Einschaltknopf. Die Helligkeit steigert sich dann in den Zyklen, von 1500lm-3000lm-5000lm-13000lm-25000lm. Lassen Sie den Einschalter los, so wird die aktuelle Helligkeit aktiviert und gespeichert.

3. Turbo und Blitzlicht

Das doppeltes Drücken des Einschalters, in einem beliebigen Modus, aktiviert die Turbostufe von bis zu 65.000 Lumen. Nachmaliges doppelte drücken aktiviert den Strobe Modus. (Wenn die Batteriespannung unter 14 V liegt, können Turbo und Strobe nicht eingeschaltet werden)

4. Batteriewarnung

Wenn die Taschenlampe eingeschaltet ist, und die Batteriespannung zu gering ist, dann beginnen die LEDs neben dem Einschalter in Rot mit 2Hz zu blinken, um den Benutzer daran zu erinnern, die Batterie zu ersetzen oder aufzuladen

5. Intelligente thermische Kontrolle

Bei der Verwendung des High-Output-Modus erzeugt die Taschenlampe große Wärme. Wenn die interne Temperatur der Taschenlampe 50 Grad Celsius erreicht, wird die Helligkeit auf 13.000 Lumen reduziert, um eine sichere, komfortable Nutzung zu gewährleisten und Beschädigungen durch Überhitzung zu vermeiden. Wenn die Temperatur 65 Grad Celsius erreicht, wird der Turbomodus deaktiviert.

6. Ein- und Ausschalten der Lüfter

1. Bei eingeschalteter Taschenlampe schalten sich die Lüfter automatisch ein, wenn die Leistung bei 5.000 Lumen oder mehr liegt.
2. Drücken Sie bei ausgeschalteter Taschenlampe 3 Sekunden lang auf den Einschaltknopf, um die Lüfter ein- und auszuschalten und die Taschenlampe abzukühlen.

7. Speicherfunktion

Die Taschenlampe speichert die zuletzt verwendete Helligkeit. Wenn Sie die Taschenlampe wieder einschalten, startet diese wieder im zuletzt verwendeten Helligkeitsmodus. (Der Moon Modus wird gespeichert, während der Turbo und Strobe Modus nicht gespeichert werden kann.)

8. Sperren und Entsperren

Drücken Sie bei ausgeschalteter Taschenlampe 4-mal kurz auf den Einschaltknopf, die Anzeige blinkt 3-mal, und die Taschenlampe ist gesperrt. Drücken Sie den Einschalter nochmals 4-mal, so wird diese wieder entriegelt.

9. Aufladen der Batterie

Das Produkt verfügt über eine intelligente Ladefunktion. Schrauben Sie die Endkappe ab, schließen Sie das Ladegerät (19V-24V/2A) an und stecken Sie es in die Steckdose, um es aufzuladen. Der Ladevorgang dauert in etwa 2 Stunden. Wenn die MS12 Mini ordnungsgemäß geladen wird, leuchtet die Kontrollleuchte am Ende des Akkupacks während des Ladevorganges rot. Die Anzeige leuchtet grün, wenn der Akku vollständig aufgeladen ist.

(Italia) MS12 MINI Manuale Utente

ANSI/NEMA FL1	Modalità Generale							
	Turbo	Alto	Medio	Medio Basso	Basso	Super Basso	Chiaro di luna	
	OUTPUT	65000-13000 equal	25000-13000 equal	13000 equal	5000 equal	3000 equal	1500 equal	50 equal
	RUNTIME	45s+40min	3min+43min	48Min	1H23Min	2H50Min	4H	98H
	DISTANZA MASSIMA DEL FASCIO	1036m						
	INTENSITÀ MASSIMA DEL FASCIO	268600cd						
	RESISTENZA ALL'IMPATTO	1m						
	WATERPROOF	IP56						

IMALENT segue accuratamente gli ultimi standard U.S ANSI per i propri test. I dati sono più scientifici ed accurati.

Informazioni sul Prodotto

La IMALENT MS12 Mini è torcia da ricerca super luminosa, dalle dimensioni di una lattina ed equipaggiata con 12 led Americani CREE XHP70 2nd. La torcia impressionerà tutti con la sua incredibile potenza di ben 65.000 Lumen. È alimentata da un pacco batterie interno composto da 4 celle 21700 agli ioni di Litio. Capace di raggiungere una distanza di 1036m, la Imalement MS12 Mini può essere utilizzata per trovare qualsiasi oggetto nell'oscurità. Lo switch laterale consente l'accesso rapido al Turbo e al livello luminosità basso. Con l'interfaccia di ricarica posta sulla coda, la Imalement MS12 Mini può essere ricaricata in due ore. Gli indicatori del livello di carica informeranno l'utente quando è il momento di caricare torcia tramite il caricabatterie incluso nella confezione. La quantità di luce emessa dalla IMALENT MS12 Mini è davvero notevole, l'ampio angolo di apertura del fascio e la funzione stroboscopica sono ideali per molteplici scopi, compreso le missioni di ricerca e di soccorso. Dotata di sei livelli di output più un livello Strobe, la IMALENT MS12 Mini è utile anche nell'utilizzo di tutti i giorni, per l'outdoor e per i lavori in genere.

Caratteristiche del Prodotto

- Utilizza 12 LED CREE XHP 70.2 americani, con una durata fino a 50000 ore e una potenza massima di 65.000 Lumen.
- Pacco batteria agli ioni di litio integrato che include 4 celle 21700
- La modalità Turbo si attiva premendo due volte il pulsante dell'interruttore di alimentazione laterale, mentre premendo tre volte è possibile ottenere la modalità Moon da 50 Lumen.
- Dimensioni: 148 mm (lunghezza) * 83 mm (diametro testa) * 56 mm (diametro corpo)
- Peso netto: 787g (batteria inclusa)
- Il circuito a corrente costante ad alta efficienza manterrà una luminosità costante
- Il modulo di controllo termico integrato regolerà automaticamente l'output per consentire sempre un utilizzo confort

(日本語)MS12 MINI ユーザーマニュアル

	点灯モード							
ANSI/NEMA FL1準拠	ターボ	ハイ	ミドル	ミドルロー	ローII	ローIII	ムーンライトモード	
	輝度	65000-13000 lumens	25000-13000 lumens	13000 lumens	5000 lumens	3000 lumens	1500 lumens	50 lumens
	ランタイム	45分~40分	3分~43分	48分	1時間23分	2時間50分	4時間	98時間
	照射距離	1036m						
	最大光度	268600cd						
	耐衝撃	1m						
	防水性	IP56						

全てのIMALENT製品は、最新の米国国家規格ANSIに準拠したテストを実施おります。

初めてご使用になる場合
使用時のバッテリーは十分に充電された状態ではありません。充電してからお使いください。
製品説明
MS12 MINIは、最大65,000ルーメンの出力を備えた充電式多機能懐中電灯です。12個の高効率 Cree XHP 70.2LED光源と高性能リフレクターカップを組み合わせて、短距離の照射に適した柔らかな光を出力します。MS12 MINIはコンパクト、軽量、高輝度が組み合わさって、完璧な高性能多機能バーム照明ツールとなっています。MS12 MINIの汎用性と高性能は、夜間のアクティビティやアウトドアスポーツに便利な光源を提供します。

仕様
・ Cree社製LED XHP70.2を12個使用、耐用年数50000時間、最大輝度65000ルーメン、21700型 (4000MAH) リチウム電池4本で構成されるスティックを採用。
・ スイッチをすばやくダブルクリックすると、ターボモードになり、スイッチを3回クリックすると50lmの微光モードになります。
・ 外径長さ148mm、ヘッド直径83mm、テール直径56mm、本体重量（電池含む）：787g。
・ 高効率の電流回路が一定の輝度を保ちます。
・ インテリジェント回路温度制御機能により、動作状態や外気温度に応じて輝度出力を自動調整し、快適な使用感を維持します。
・ 反射防止コーティングされた強化高透過ガラス使用。
・ アルミ製OPタイプリフレクター使用。
・ ボディ材料は航空宇宙用アルミ合金ニウム合金を使用し、硬質陽極酸化タイプⅢで処理されます。
・ 防水：IP56、
・ 耐衝撃：1m、

操作説明
1. **スイッチオン/オフ**
使用前に、本体とバッテリーの間にある絶縁スペーサーを取り出して下さい。また締めてからスイッチを1回押すとオンに、また1回押すとオフになります。
2. **スタンダードモード**
スイッチオンの状態で、スイッチを押すと、1500、3000、5000、13000、25000、ルーメンの順に切り替わります。
3. **ターボとストロボモード**
ライトいずれの状態でも、スイッチを2回押すと、65000ルーメンのターボモードに、もう一度2回押すとストロボモードに、ボタンを1回押せばスタンダードモードに戻ります。(バッテリーの電圧が14V未満の場合、ターボモードとストロボの点灯ができません。)
4. **低電圧警告**
点灯状態では、バッテリー残量が不足になると、電源インジケーターが**2HZ**の頻度で点滅し、バッテリーの交換あるいは充電を警告します。

5. **熱保護**
ターボモード使用中、ライトは徐々に熱を発生させます。LED PCBの温度が50℃に達した時、明るさは自動的に13000ルーメンに変わり、過熱による不具合を防ぎます。
6. **冷却ファンのオン/オフ**
1.電源オンの状態で、明るさは5000ルーメン以上に（5000ルーメンを含む）に入ると、ファンが自動的にオンになります。
2.電源オフの状態では、スイッチを3秒長押しすると、冷却ファンをオンにします。またスイッチを3秒長押しすると、冷却ファンをオフします。
7. **メモリ機能**
MS12 MINIは前回の点灯モードを自動的にメモリし、再度オンにすると、前回の点灯モードで動作を開始します（★ターボモードとストロボモードをメモリませんが、微光モードをメモリします。）
8. **ロック機能**
電流オフの状態では、スイッチ4回を押すと、インジケーターは3回点滅し、スイッチロックされ、不審な点灯を防ぎます。またスイッチ4回を押すと、ロックを解除します。
9. **充電方法**
この製品にはスマート充電機能が付属しており、ライトのケーブルを回して外し、充電アダプター（**19V-24V /2A**）の一端をライトのケーブルにある充電口に挿入して、もう一端を電源ソケットに差し込んで充電します。21700型リチウム電池4本で構成されるスティックを充電する場合、フル充電までには約2時間かかります。



高速放電21700タイプ充電式リチウム電池4個を内蔵。

6ヶ月ごとに、シリコンペースの潤滑剤を綺麗な布に少量取り、ネジ部分に薄く塗り伸ばしてください。

保証サービス

正規販売代理店で購入されたIMALENT製品が保証対象となります。初期不良の場合、ご購入日より15日以内に、お買い求めになりました販売店にてお取替えください。ご購入日より15日以上2年間未満の場合、全ての欠陥、故障部品は無料で修理致します（ただし送料は除く）。2年間以降、交換部品、費用がかかります。ただし保証は、下記に該当する場合、無効とさせていただきます。

- 当商品が、分解、改造された場合。
- 誤った使用方法により、当商品が破損した場合。
- 電池が損傷した場合（バッテリーと充電器の保証期間は12ヶ月）。

IMALENT製品、及びサービスの最新情報はIMALENT販売店、またはEメール (sale@imalent.com) にて当社まで、お問い合わせください。詳しくは、当社ウェブサイトをご確認ください。
www.imalent.com

IMALENT製品の代理商になりました場合
IMALENT製品に興味があるなら、貴方の基本情報をsales@imalent.comに送信してください。また、あなたが推薦する売り手が最終的にIMALENTと協力するならば、IMALENTはあなたに購入物を提供するでしょう。
深圳市光通移动照明科技有限公司
Shenzhen Guangtong Mobile Lighting Technology Co., Ltd
Email: sales@imalent.com
Factory Address: Room 213 , ZhichuangLvgu Building A , 62 Puxia Road , Henggang Llyuue , Shenzhen , Guangdong , 518173 China

(한국어) MS12 MINI 제품사용설명서

	일반 모드							
ANSI/NEMA FL1	Turbo	High	Middle II	Middle I	Middle Low	Low	Moonlight	
	밝기	65000-13000 루멘	25000-13000 루멘	13000 루멘	5000 루멘	3000 루멘	1500 루멘	50 루멘
	사용시간	45s~40min	3min~43min	48min	1H23min	2H50min	4H	98H
	조사거리	1036m						
	빛 강도	268600cd						
	충격 저항성	1m						
	방수등급	IP56						

미국의 최신 ANSI 시험 표준을 따라 측정되었으며, 위 데이터는 과학적이고 정확합니다.

제품 소개

IMALENT MS12 미니는 미국 Cree사의 XHP70.2 LED를 12개 탑재하여 강력한 밝기를 출력하는 옴로 소 캔 사이즈의 미니 씨치라이트입니다.

MS12는 21700배터리4개가 내장된 배터리팩으로 작동되며 강력한 65,000루멘 밝기를 출력합니다. 조사거리는 1036미터로 먼 거리에 위치한 물체도 한하게 비춥니다. 또한 편리한 사이드 스위치를 이용하여 터보기능 및 밝기모드를 빠르게 조절 할 수 있습니다.

제품의 테일쪽에는 DC 충전 포트가 있어 MS12 미니 제품을 2시간 내외로 빠르게 충전이 가능합니다.

넓은 광각과 강력한 65,000루멘의 밝기, 다양한 모드 기능은 서치라이트, 수색, 탐조 등, 구조 등 다양한 목적으로 적합하게 사용 할 수 있습니다.

제품 특징

· 미국 Cree사의 XHP70.2 LED 12개 사용, 최대 출력65000루멘 (LED 수명 50,000시간)
· 21700배터리 4개가 내장된 배터리팩 사용
· 사이드 전원 스위치 버튼을 두 번 누르면 가장 밝은 밝기인 터보 모드가 바로 출력되며, 사이드 전원 스위치 버튼을 세 번 누르면 가장 낮은 밝기인 달 모드가 출력됩니다.
· 사이즈 : 148mm (길이)*83 mm (헤드 지름) *56mm (바디 지름)
· 무게 : 787g (배터리 포함 무게)
· 고효율 정전류 회로 탑재로 일정한 밝기 유지.
· 내장된 발열 컨트롤 모듈이 본체의 온도에 따라 자동으로 밝기 출력을 조정.
· 강화 처리 + 반사방지 코팅
· 양부미플 OP 리플렉터
· 항공우주급 알루미늄 합금본체 + 3등급 하드아노다이징 표면 처리
· IP56 방수 등급으로.

제품 작동법

1. 전원 ON/OFF

제품을 사용하기 전, 손전등 헤드 부분과 배터리 팩 사이의 보호 필름을 먼저 제거 한 후 작동하시기 바랍니다. 헤드와 본체 부분을 최대한 단단히 조이고 전원 스위치 버튼을 가볍게 한 번 눌러 전원을 켜고 끕니다.

2. 일반 밝기모드

전원이 켜진 상태에서 스위치를 길게 누르면 밝기모드가 차례대로 변경됩니다.

3.스페셜모드 (터보모드 / 스트로브 모드)

제품이 켜진 상태에서 스위치를 2번 누르면 가장 밝은 밝기인 터보 모드가 활성화됩니다. 터보 모드에서 다시 스위치를 2번 누르면 스트로브 모드가 활성화됩니다. 스페셜 모드는 전원 스위치를 살짝 누르면 쉼 모드로 바뀝니다. (배터리의 전압이 14.0V 미만으로 떨어지면 터보모드 및 스트로브 모드가 비활성화됩니다.)

4.저전력 주의 알림

램프의 전원이 켜진 상태에서 배터리가 부족 할 때, 빨간색 표시등이 깜빡이며 배터리 교체 및 배터리 충전을 알립니다.

5. **지능적 온도조절 씨치**
제품을 고출력 모드에서 장시간 사용하면 손전등에 많은 열이 발생합니다. 손전등 본체의 온도가 50도 이상으로 오르면, 안전한 사용을 위하여 밝기가 13,000루멘으로 감소되며 과열을 방지합니다. 또한 손전등 본체의 온도가 65도 이상으로 오르면, 위험을 인지하여 모드가 비활성화됩니다.

6. 냉각 팬 ON/OFF

1. 제품의 전원이 켜진 상태에서 빛 출력이 5000루멘 이상일 때 냉각 팬이 자동으로 켜집니다.
2.제품의 전원이 꺼진 상태에서 전원 스위치 버튼을 3초간 길게 눌러 냉각 팬을 켜고 끌 수 있습니다.
7. **메모리 기능**
본 제품에는 메모리 기능이 탑재되어있어 이전에 사용한 밝기가 저장됩니다. 달 모드는 메모리 기능에 포함되고 터보모드와 스트로브 모드는 메모리 기능에 포함되지 않습니다.

8. 잠금 기능

제품의 전원이 꺼진 상태에서 전원 스위치 버튼을 빠르게 4회 연달아 누르면 표시등이 깜빡이면서 잠금 기능이 활성화됩니다. 잠금 기능이 활성화되면 스위치 버튼을 눌러도 아무런 작동이 되지 않으며 스위치 버튼을 다시 4회 연달아 누르면 잠금 기능이 해제됩니다.
9. **배터리 충전**
본 제품에는 지능형 충전 기능이 탑재되어 있습니다. 테일 캡을 풀고 충전기를 꽂은 후 실 나 소켓에 꽂아 충전합니다. 내장 된 배터리 팩을 완충하는 데 2시간 내외가 소요됩니다.

- MS12 MINI가 정상적으로 충전되고 있을 때, 배터리팩 끝에 있는 표시등에 빨간 불이 들어오며 완충 시에는 초록불로 바뀝니다.

(ภาษาไทย) คู่มือการใช้งาน MS12 MINI

	โหมดทั่วไป							
โหมดไฟฉายตามมาตรฐาน	เทอร์โบ	สูง	กลาง	กลาง I	กลางต่ำ	ต่ำ	แสงจันทร์	
	ความสว่าง	65000-13000 ลูเมน	25000-13000 ลูเมน	13000 ลูเมน	5000 ลูเมน	3000 ลูเมน	1500 ลูเมน	50 ลูเมน
	ระยะเวลาใช้	45s~40min	3min~43min	48min	1H23min	2H50min	4H	98H
	ระยะความส่องสว่าง	1036เมตร						
	ความเข้มแสง	268600cd						
	ความเข้ทนต่อการกระแทก	1เมตร						
	กันน้ำ	IP56						

IMALENTได้ทดสอบตามมาตรฐานANSIล่าสุดของสหรัฐอเมริกาอย่างเคร่งครัด ข้อมูลการทดสอบจึงมีความเป็นวิทยาศาสตร์และแม่นยำยิ่งขึ้น

ข้อมูลเบื้องต้น

IMALENT MS12 Mini เป็นไฟฉายขนาดกระทัดรัดที่สว่างมาก โดยใช้หลอด XHP70.2 จำนวน 12 หลอด. ไฟฉายขนาดกระทัดรัดตัวแรกที่ให้ทุกหลอดสว่างสูงสุดที่ 65,000 ลูเมน โดยใช้หลอดพลังงานจากชุดแบตเตอรี่ Li-ion ในตัวแบบแบตเตอรี่ 21700 จำนวน 4 ก้อน. ความสว่างที่ส่องลงมาได้สูงถึง 1036 เมตร สามารถใช้ค้นหาวัตถุใดๆ ในมืด. การออกแบบที่ดีด้านเชิงออปติคส์ได้รวมอยู่ในหลอดความสว่างเท่านี้ได้อย่างรวดเร็ว. คุณลักษณะการที่จับของตัวชาร์จ DC ในตัวที่สว่างเท่านี้ของไฟฉาย IMALENT MS12 Mini ได้มาจากรางวัลโกลด์ของปี. MS12 Mini มีฟังก์ชันสองระดับของสตrobeเพื่อเพิ่มความปลอดภัยต่อผู้ใช้. ความสว่างจากไฟฉาย IMALENT MS12 Mini มีฟังก์ชันสามโหมดคือแสงสว่างสูง, แสงช้า และสโตรบแสงที่กะพริบ strobe เป็นจุดซึ่งเหมาะสำหรับใช้ประต้อมีหลายประการ รวมถึงการที่กล้าที่จะนำมาใช้กับ. สวิตช์ความสว่าง 6 สวิตช์อื่นไฟ Strobe IMALENT MS12 Mini ยังเป็นไฟฉายที่ใช้แสงสว่างที่ตรงจางรับกิจกรรมกลางแจ้ง และงานของมือ

- คุณสมบัติ**
 - ใช้หลอด LED CREE XHP 70.2 ของจำนวน 12 หลอด ที่มีความยาวใช้งานมากถึง 50000 ชั่วโมง และใช้ความสว่างสูงสุด 65, 000 ลูเมน
 - ชุดแบตเตอรี่ Li-ion ในตัวแบบแบตเตอรี่ 21700 จำนวน 4 ก้อน
 - เข้าโหมดลดแสงอัตโนมัติโดยกดปุ่มสวิตช์ไฟด้านข้างสองครั้งเพื่อเพิ่มประสิทธิภาพที่ใช้งานได้ใช้งานรวมทั้งความสว่างที่ลดลงอย่างรวดเร็ว
 - ขนาด: 148mm (ยาว) *83 mm (หัวไฟฉาย) *56mm (ตัวไฟฉาย)
 - น้ำหนัก: 787g (รวมแบตเตอรี่)
 - วงจรปรับประสิทธิภาพสูงระบบที่ได้อินทรีย์ที่มีทั้งการควบคุมการสวิตช์ได้แม่นยำ
 - วงจรควบคุมความเข้มไฟฉายปรับให้สอดคล้องกับความสว่างที่ส่องลงมาได้สูงถึง 1036 เมตร
 - การผสมผสานระหว่างวัสดุที่แข็งแรงที่ทนต่อการกระแทกที่ป้องกันได้เป็นอย่างดี
 - โหมดสตrobeแสงกะพริบแบบ OP
 - ใช้เทคโนโลยีจาลองอุณหภูมิเมื่อลดอุณหภูมิในตัวชาร์จที่ใช้ในอากาศ ที่มีดัชนีของดัชนี Type III ที่ทนทานต่อการสักร
 - มาตรฐานกันน้ำ IP56

การใช้งาน

- เปิด/ปิด**
สลับการใช้งานสวิตช์ไฟ โดยกดปุ่มเปิดกึ่งบนและกึ่งระหว่างไฟฉายกับชุดแบตเตอรี่ จากนั้นชี้ไปที่แหล่งที่สนใจ
- โหมดแสงปกติ**

เมื่อไฟฉายเปิดออก โทคณิตรดับที่เปิด/ปิดครั้งที่ 1 ระดับความสว่างจะลดลงจาก 15000lm=3000lm=5000lm=13000lm=25000lm เมื่อต่อหลอดไฟฉายจะขึ้นที่ระดับความสว่างที่ต้องการ

- Turbo use Strobe**
กดสวิตช์ไฟฉายสองครั้งอย่างรวดเร็วเพื่อเปิดไฟฉายในโหมดสโตรบที่ความสว่างสูงสุด 65, 000 ลูเมน. กดปุ่มสวิตช์ไฟฉายสองครั้งอย่างรวดเร็วเพื่อเปิดใช้งาน Strobe กดปุ่มสวิตช์เปิดปิดอีกครั้งเพื่อออก
- การแจ้งเตือนเมื่อถึงพลังงาน**
เมื่อไฟฉายจะเปลี่ยนจากโหมดสโตรบที่ส่องออกมา โทคณิตรดับจะลดลงที่รอบที่ 2 Hz เพื่อเตือนให้ผู้ใช้เปลี่ยนแบตเตอรี่หรือทำการชาร์จ
- ระบบควบคุมความแรงจันตริยะ**
ขณะที่ใช้งานในโหมดความสว่างสูง ไฟฉายจะมีความร้อนมากขึ้น เมื่ออุณหภูมิภายในไฟฉายสูงถึง 50 องศา เซลเซียสความสว่างจะลดลงเหลือ 13000 ลูเมนเพื่อความปลอดภัยในการใช้งานและป้องกันความเสียหายที่มากเกินไปจากความร้อนสูงเกินไป เมื่อความร้อนของไฟฉายสูงถึง 65 องศาเซลเซียส โทคณิตรดับจะทำการทำงาน
- การปิดไฟ**
ปิดหลอดความสว่างด้วยนิ้วเพื่อปิดไฟอัตโนมัติเมื่อระดับความสว่างอยู่ที่ 5, 000 ลูเมนหรือระดับความสว่างที่ต่ำกว่า
- เมื่อเปิดไฟฉาย โทคณิตรดับที่เปิด/ปิดครั้งที่ 3 หมายความว่าเมื่อลดระดับความสว่างของไฟฉาย
- ฟังก์ชันหน่วยความจำ**
ไฟฉายจะจดจำความสว่างที่เลือกใช้งานไว้ เมื่อกดเปิดไฟฉายอีกครั้ง มันจะเข้าสู่โปรไฟล์ความสว่างก่อนหน้านี้จะเปิด (โหมดสว่างทั้งหมดจะถูกตั้งค่าให้ย้อนกลับเมื่อไฟฉายได้ถูกปิด)
- ฟังก์ชันล็อคและปลดล็อค**
เมื่อเปิดไฟฉาย โทคณิตรดับที่เปิด/ปิดอย่างรวดเร็ว 4 ครั้ง โทคณิตรดับจะกะพริบ 3 ครั้ง เพื่อแสดงไฟฉายถูกปิด กดปุ่มสวิตช์อีกครั้ง 4 ครั้ง จะปลดล็อคและใช้งานได้ตามปกติ
- การจำพลังงานที่บันทึก**
ไฟฉายจะบันทึกพลังงานที่บันทึกการใช้งานไว้ที่หน่วยความจำแบบหน่วยความจำ (19V-24V/2A) และเมื่อใช้งานที่ฟังก์ชันที่บันทึกไว้, การชาร์จจะลดลง 4 ชั่วโมงและ 21700 จะใช้เวลาประมาณ 2 ชั่วโมง
- เมื่อชาร์จ MS12 Mini อาจหยุดนิ่ง โทคณิตรดับจะขึ้นที่หน่วยของแบตเตอรี่จะสว่างเป็นสีแดง โทคณิตรดับจะเปลี่ยนเป็นสีเขียวหากแบตเตอรี่ถูกชาร์จจนเต็มแล้ว

การบำรุงรักษาไฟฉาย

หากไม่ใช้งานไฟฉายเป็นเวลานาน, โปรดใช้ไขมันที่ทำความสะอาดจากมือของคุณ จากนั้นใช้การหล่อลื่นที่ใช้ซิลิโคนหล่อลื่นที่แนะนำทุกฤดู ครึ่งปี

บริการและการรับประกัน

ผลิตภัณฑ์ IMALENT ทั้งหมดอยู่ภายใต้การประกันที่รับประกันของเรา DOA / สินค้าที่มีข้อบกพร่องสามารถขอเปลี่ยนหรือขอคืนสินค้าตามจำนวน / จำนวนเงินจำนวนในกรณีที่ภายใน 15 วันนับจากวันที่ซื้อ หลังจากจำนวน 15 วัน แต่ผลิตภัณฑ์ IMALENT มีข้อบกพร่อง/ชำรุดผิดปกติสามารถขอเปลี่ยนหรือคืนสินค้าได้หากใช้งานได้เกินระยะเวลาที่กำหนดไว้ 24 เดือน การรับประกันแบบจำกัดครอบคลุมสินค้าตามจำนวนที่กำหนดไว้

การรับประกันและข้อเสนอบริการลูกค้าที่ดีที่สุดของเรา:

- สินค้ามีการรับประกัน 2ปี และ/หรือที่ใช้โดยลูกค้าที่ไม่ใช่ของภาครัฐ
- สินค้าได้รับการรับประกันจากผู้จำหน่าย
- ผลิตภัณฑ์ได้รับการรับประกันจากผู้ผลิตของผลิตภัณฑ์

สำหรับข้อมูลเพิ่มเติมเกี่ยวกับผลิตภัณฑ์และบริการของเรา IMALENT โปรดติดต่อตัวแทนจำหน่าย IMALENT ในพื้นที่ของคุณหรือติดต่อทีมฝ่ายขาย sales@imalent.com โทรหรือติดต่อทีมช่วยเหลือลูกค้า
ตัวแทน
www.imalent.com เลขที่ติดต่อทาง

วิธีการจัดส่งสินค้าที่แนะนำ

หากคุณมีหรือจะติดต่อทีม Imalent โปรดส่งข้อมูลพื้นฐานของคุณมาพร้อมอีเมลที่ sales@imalent.com เราจะติดต่อกลับหากเรามีและดำเนินการเกี่ยวกับรายการขอซื้อผลิตภัณฑ์ คุณมีคำถามและคำแนะนำเพิ่มเติมในทันทีได้ หากเราสร้างความร่วมมือกับคุณและเจ้าหน้าที่ของเรา เราจะสามารถช่วยคุณผลิตภัณฑ์ได้โดย

Shenzhen Guangtong Mobile Lighting Technology Co.,Ltd
Mail:sales@imalent.com
Web: www.imalent.com
Factory Address: Room 213 , ZhichuangLvgu Building A , 62 Puxia Road , Henggang Llyuue , Shenzhen , Guangdong , 518173 China

(Français) Manuel utilisateur MS12 MINI

	Mode général							
ANSI/NEMA FL1	Turbo	High	Middle	Middle Low	Low	Super Low	Clair de lune	
	NIVEAU DE SORTIE	65000-13000 lumens	25000-13000 lumens	13000 lumens	5000 lumens	3000 lumens	1500 lumens	50 lumens
	DURÉE	45s~40min	3min~43min	48min	1H23min	2H50min	4H	98H
	DISTANCE DU FAISCEAU	1036m(Max)						
	INTENSITÉ MAXIMALE DU FAISCEAU	268600cd(Max)						
	RÉSISTANCE AUX CHOC	1M						
	ÉTANCHEITÉ	IP56						

IMALENT suit de près la dernière norme américaine ANSI pour les tests, les données de test sont plus scientifiques et précises.

Information du technicien:

L'IMALENT MS12 Mini est la définition d'un projecteur super lumineux de la taille d'une boîte de conserve, utilisant 12 morceaux de 2ème LED américaines Cree XHP70. La lampe de poche pressurisée tout le monde avec une puissance exceptionnelle de 65 000 lumens alimentée par la batterie Li-ion intégrée qui comprend 4 piles 21700. Capable d'une visibilité de faisceau de 1036 mètres, il peut être utilisé pour trouver n'importe quel objet dans l'obscurité. La conception de l'interrupteur latéral vous permet d'accéder rapidement aux modes turbo et faible luminosité.

Avec le port de charge DC intégré à la queue, vous pouvez charger rapidement l'IMALENT MS12 Mini en deux heures. Les indicateurs de niveau de batterie vous indiqueront quand il est temps de charger le MS12 Mini avec le chargeur inclus. La qualité de lumière émise par la lampe de poche IMALENT MS12 Mini est vraiment remarquable, un angle de faisceau large et une fonction stroboscopique sont tout à fait adéquats à des fins multiples, y compris les missions de recherche et de sauvetage. Avec six niveaux de sortie plus stroboscope, IMALENT MS12 Mini est également un must-have pour votre vie quotidienne , vos activités de plein air et les travaux de réparation.

Caractéristiques du produit

- Utilise 12 pièces de LED américaines Cree XHP 70.2, avec une durée de vie allant jusqu'à 50 000 heures et une puissance maximale de 65 000 lumens.
- Batterie Li-ion intégrée qui comprend 4 piles 21700
- Sortie turbo instantanée en appuyant deux fois sur le bouton de l'interrupteur d'alimentation latéral tout en appuyant trois fois sur le bouton de l'interrupteur d'alimentation latéral, peut obtenir le mode lue 50 lumens.
- Taille : 148 mm (longueur) x 83 mm (diamètre de la tête) x 56 mm (diamètre du corps)
- Poids net : 787 g (batterie incluse)
- Le circuit à courant constant à haut rendement maintiendra une luminosité constante
- Le module de contrôle thermique intégré ajuste automatiquement la sortie de luminosité, continuez à utiliser confortablement.

- Combinaison de verre minéral trempé ultra-clair et de verre antireflet
- Reflecteur en aluminium
- Corps en alliage d'aluminium de qualité aérospatiale, anodisé dur de type III résistant à l'usure traitement de surface
- Norme IP56 étanche

Instructions d'utilisation

1. Activer/désactiver

La première fois que vous utilisez la lampe de poche, veuillez retirer la protection de la batterie entre la tête de la lampe de poche et la batterie, puis vissez-la aussi fermement que possible, appuyez doucement une fois sur le bouton d'alimentation pour éteindre la lampe de poche.

2. Mode d'éclairage normal

Lorsque la lampe de poche est allumée, appuyez et maintenez le bouton d'alimentation enfoncé, elle cyclera de 1500lm-3000lm-5000lm-13000lm-25000lm, relâchez la puissance Le bouton de commutation enregistrera le niveau de sortie nécessaire.
3. Turbo et stroboscope
Appuyez deux fois sur le bouton de l'interrupteur d'alimentation à n'importe quel mode pour activer la sortie turbo, jusqu'à 65000 lumens, appuyez deux fois sur le bouton de l'interrupteur d'alimentation pour activer le stroboscope, appuyez légèrement sur le bouton de l'interrupteur d'alimentation pour quitter. (Si la tension de la batterie est inférieure à 14V, le turbo et le strobe ne peuvent pas être activés.)

4. Avertissement de faible puissance

Avec la lampe de poche allumée, lorsque la batterie est faible, le voyant rouge clignote à 2 Hz pour rappeler aux utilisateurs de remplacer la batterie ou de la charger.

5. Contrôle thermique intelligent

Lors de l'utilisation du mode de sortie élevé, la lampe de poche générera beaucoup de chaleur. Lorsque la température interne du corps de la lampe de poche atteint 50 degrés Celsius, le la luminosité diminuera à 13000 lumens pour garantir une utilisation sûre et confortable et prévenir l'inconfort de la surchauffe. Lorsque la chaleur de la lampe de poche atteint 65 degrés Celsius, le mode turbo sera désactivé.

6. Allumer et éteindre les ventilateurs de refroidissement

1. Avec la lampe de torche allumée, le ventilateur de refroidissement sera allumé automatiquement lorsque la sortie est à 5000 lumens ou plus de niveaux de sortie.
2.Avec la lampe de poche éteinte, appuyez long sur le bouton d'alimentation 3 secondes pour allumer et éteindre le ventilateur de refroidissement afin de refroidir la lampe de torche.

7. Fonction de mémoire

La lampe de poche se souviendra de la luminosité à laquelle elle a été précédemment réglée. Lorsque vous rallumez la lampe de poche, elle se souvient de sa luminosité avant d'être éteinte. (Le mode Lune sera rappelé tandis que le turbo et le stroboscope ne seront pas mémorisés.)

8. Verrouiller et déverrouiller

Avec la lampe de poche éteinte, appuyez rapidement 4 fois sur le bouton de l'interrupteur d'alimentation, l'indicateur clignotera3 fois pour indiquer que la lampe de poche est verrouillée. Appuyez à nouveau 4 fois sur le bouton de l'interrupteur, il sera déverrouillé et pourra fonctionner normalement.

9. Chargement de la batterie

Le produit est livré avec une fonction de charge intelligente. Dévissez le capuchon arrière, branchez le chargeur (19V-24V/2A) et placez-le dans la prise intérieure pour le charger. Le chargement de la batterie 4pcs 21700 prendra environ 2 heures.
1.Lorsque le MS12 Mini est correctement chargé, le voyant situé à l'extrémité de la batterie s'allume en rouge. Le voyant devient vert si la batterie est complètement chargée

Entretien de la lampe de poche:

Si la lampe de poche doit être mise de côté pendant une longue période, veuillez utiliser le tissu doux pour nettoyer le filetage du tube, puis utilisez le lubrifiant à base de silicone pour lubrifier le filetage une fois par semestre.

Service de garantie:

Tous les produits IMALENT sont couverts par notre service de garantie. DOA/ défectueux les produits peuvent être échangés pour un remplacement par l'intermédiaire d'un distributeur/concessionnaire local dans les 15 jours suivant l'achat. Après 15 jours, tous défectueux/dysfonctionnements Les produits IMALENT seront réparés gratuitement pendant 24 mois à compter de la date d'achat. Après 24 mois, une garantie limitée s'applique, couvrant le coût de la main-d'œuvre et de l'entretien, mais pas le coût des accessoires ou du remplacement les pièces.
La garantie est annulée dans toutes les situations suivantes :
1. Le(s) produit(s) est/sont décomposé(s), reconstruit(s) et/ou modifié(s) par parties non autorisées.
2. Le(s) produit(s) est/sont endommagé(s) par une mauvaise utilisation.
3. Le(s) produit(s) est/sont endommagé(s) par une fuite de piles.

(Tiếng Việt) MS12 MINI

	CÁC NẮC SÁNG							
ANSI/NEMA FL1	Turbo	High	Middle II	Middle I	Middle Low	Low	Moonlight	
	ĐỘ SÁNG	65000-13000 lumens	25000-13000 lumens	13000 lumens	5000 lumens	3000 lumens	1500 lumens	50 lumens
	THỜI GIAN	45s~40min	3min~43min	48min	1H23min	2H50min	4H	98H
	TẦM CHIẾU XA	1036m						
	CƯỜNG ĐỘ SÁNG ĐỈNH	268600cd						
	CHỐNG VA ĐẬP	1m						
	CHỐNG NƯỚC	IP56						

IMALENT tuân thủ nghiêm ngặt tiêu chuẩn ANSI của Mỹ để kiểm tra, thử nghiệm. Dữ liệu kiểm nghiệm là chính xác và đáng tin cậy.

Giới thiệu sản phẩm

IMALENT MS12 Mini là cây đèn pin kích thước nhỏ cỡ lon nước ngọt, nhưng có độ sáng siêu khủng sử dụng 12 bóng LED Cree XHP70 thế hệ 2. Đèn pin gây ấn tượng mạnh mẽ với độ sáng vượt trội 65.000 lumens, sử dụng pack pin Li-ion tích hợp gồm 4 pin 21700. Có khả năng chiếu xa 1036m, đèn có thể sử dụng để tìm kiếm mọi đối tượng trong đêm tối. Thiết kế công tắc bên cho phép thao tác nhanh kích hoạt mức sáng mạnh nhất Turbo và mức sáng thấp nhất. Với công tắc DC ở dưới đèn, bạn có thể sạc nhanh IMALENT MS12 Mini chỉ trong 2 giờ. Đèn báo pin cho biết trạng thái của pin, khi nào cần phải sạc. Ánh sáng mà đèn pin IMALENT MS12 Mini phát ra thực sự đáng mê, góc chiếu rộng và chức năng nhấp nháy phục vụ tốt cho nhiều mục